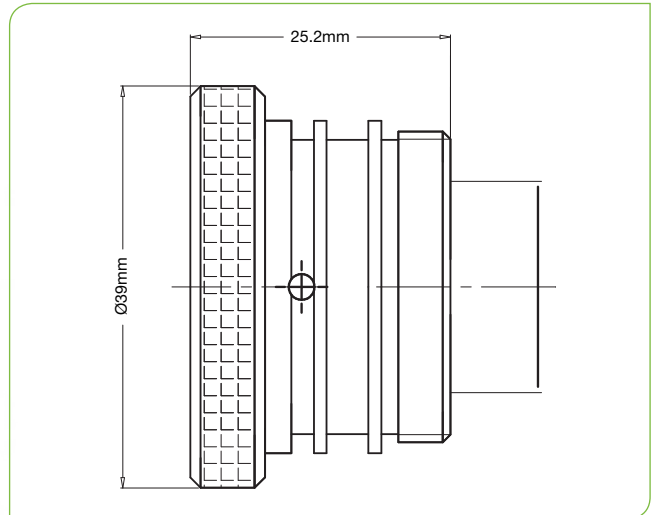


SupIR 20mm f/0.85, Fixed Focus 65037

TYPICAL ICD*



HD
FORMAT



HFOV	320x240	384x288	640x480	1024x768
17μ	15.9°	19.0°	30.9°	
12μ	11.3°	13.5°	22.5°	34.5°

Property	Value				
Optical					
Focal Length	20mm				
F#	0.85				
Average transmission (8-12μm)	85% (HC)				
Back Focal Length	8.27mm in air				
Mechanical					
Focus Mechanism	Fixed				
Depth of Field	40m to infinity				
Focus Range	1.8m to infinity				
Weight	36gr				
Max. Dimensions	Ø39mm x 25.2mm				
Environmental					
Operation Temperature	-32°C to +49°C				
Storage Temperature	-33°C to +71°C				
Sealing	IP 67 front element only				
Configurations	Weight (gr)	Dimensions	BWD**	Thread	Coating
65037-02	36	Ø39mm x 25.2mm	7.2	1.1875-24 UNS	HC
65037-03					HD

* The ICD drawing provided here is primarily a representation and may not accurately reflect the product's actual dimensions and specifications. For precise integration specifications contact your local sales representative.

** The BWD value is calculated for a unique detector setup with varying sealing windows in terms of thickness and material. For more details, contact your local sales representative.